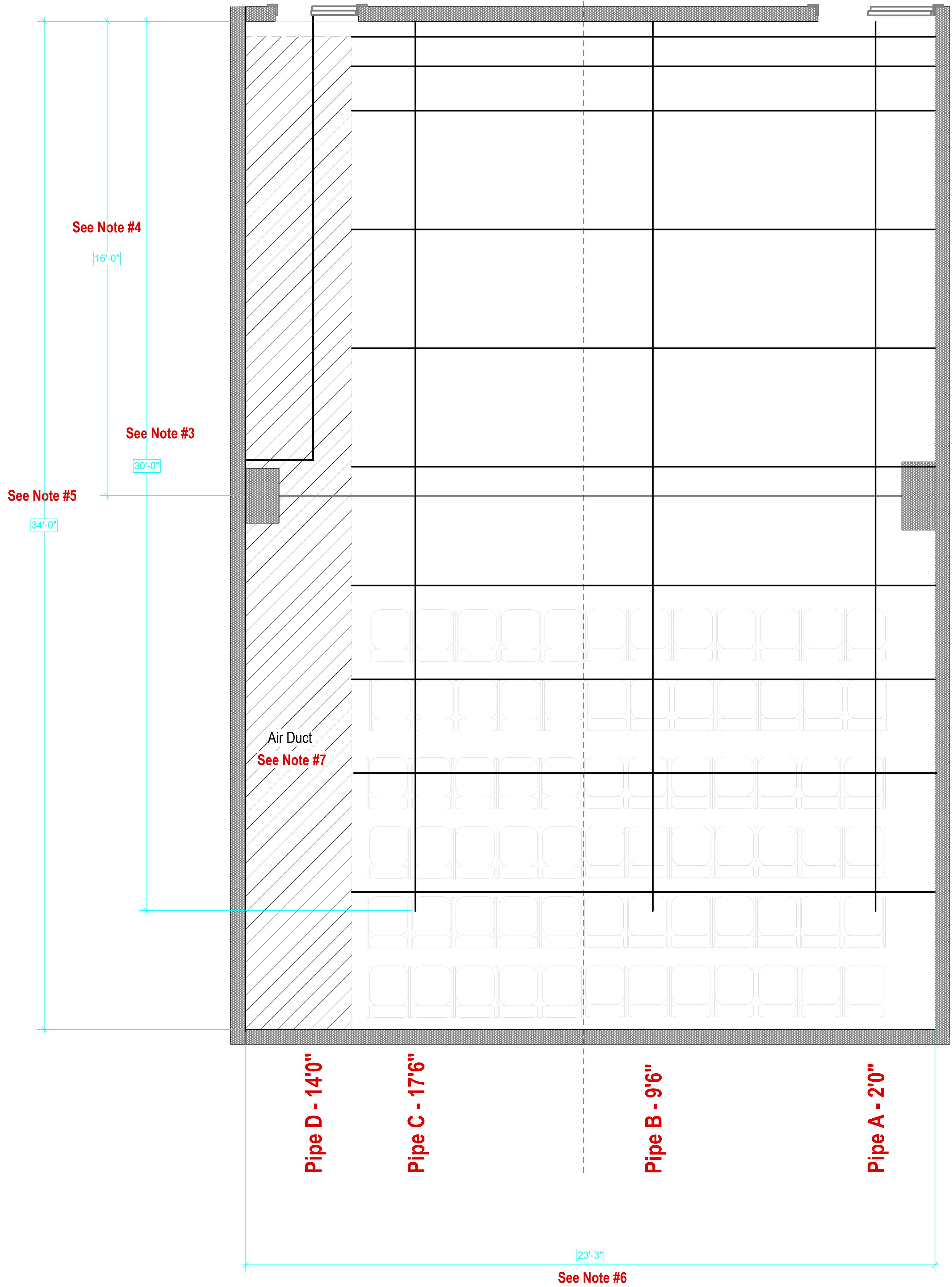

 CENTERLINE
 BASED ON
 FLOOR-LEVEL
 SEATING



6th Electric - 0'6"
 5th Electric - 1'6"
 4th Electric - 3'0"

3rd Electric - 7'0"

2nd Electric - 11'0"

1st Electric - 15'0"

FOH 1 - 19'0"

FOH 2 - 22'2"

FOH 3 - 25'4"

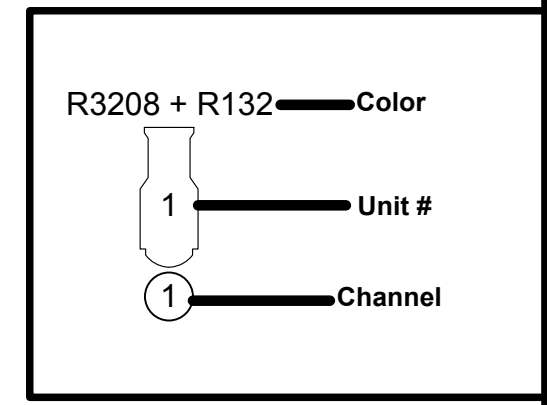
FOH 4 - 29'4"

Pipe D - 14'0"
 Pipe C - 17'6"
 Pipe B - 9'6"
 Pipe A - 2'0"

NOTES

- NOTE #1 - Trim from Floor to Stage Grid 11'-1"
- NOTE #2 - Trim from Floor to FOH Grid 12'-4"
- NOTE #3 - Length of Pipes A-C
- NOTE #4 - Stage Depth
- NOTE #5 - Length from Front Wall to Back Wall
- NOTE #6 - Width from SR Wall to SL Wall
- NOTE #7 - Pipe D under Airduct - 8' 1/2" from Stage Floor

LEGEND



WorkShop Theatre Company Mainstage:	
MITF WorkShop Main Stage	
Drawn By: Duane Pagano	
1/2" = 1'-0"	Date: 6-21-11